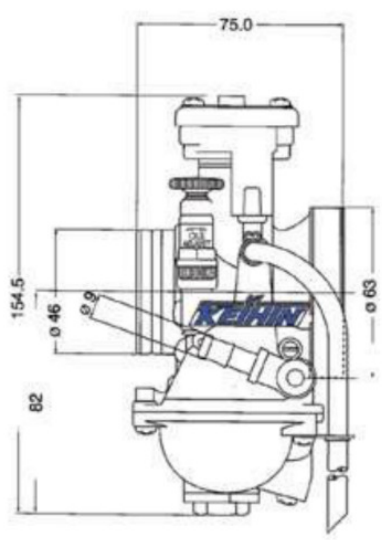
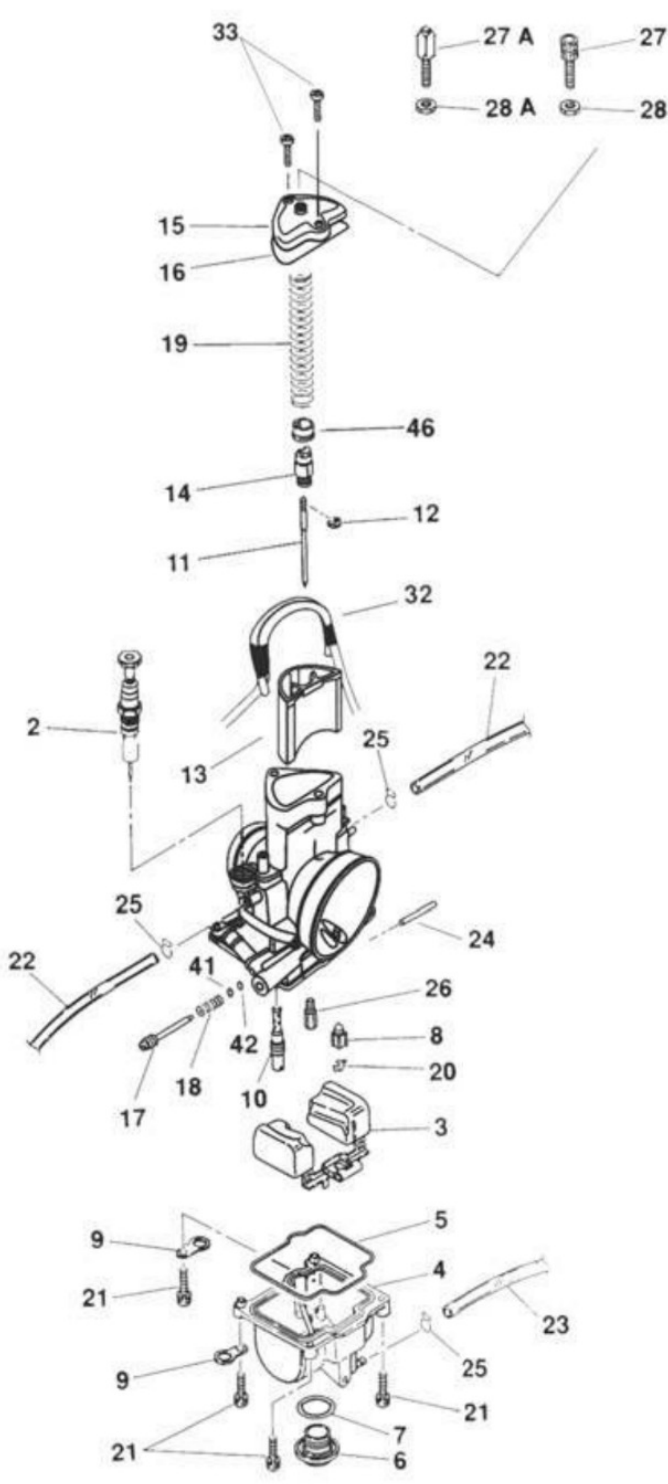


KEIHIN PWM 38 Exploded View



NOTE: Do not remove parts that are not shown on this extended view.

Float Height
6.5mm

PWM38 Carburetor Dimensions

Size (mm)	A	B	C	D
PWM38 Quad Vent	46	63	75	154.5

PWM38 Quad Vent Standard Jetting Specifications

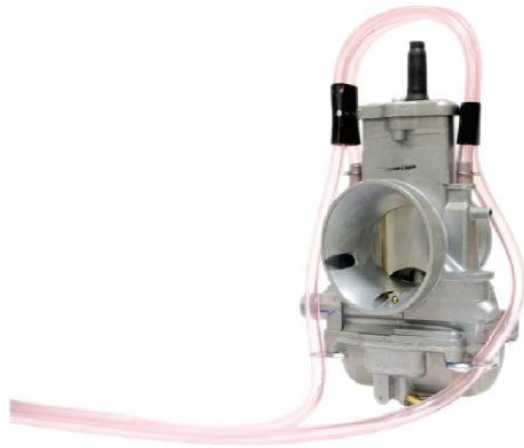
Size (mm)	Main Jet	Slow Jet	Jet Needle	Throttle Valve	Float Height	Keihin No.	Order No.
PWM38	#175	#50	48-CCJ	6.0	6.5mm	PWM38/S64	016-170

KEIHIN PWM 38 Carburetor & Parts

PWM Replacement Parts

Keihin Part No. Highlighted in **BOLD RED** are included in rebuild kit.

No.	Description	Keihin No.	Order No.
2.	Starter Valve Complete	1166-834-2200	018-201
3.	Float	1052-856-2100	018-202
4.	Float Bowl Complete	1050-898-2100	018-203
5.	Gasket, Float Bowl	16163-ND4-7510-M1	018-113
6.	Plug Screw	16162-ND4-7511-M1	018-128
7.	O-Ring, Plug Screw	16173-001-0040	018-664
8.	Float Valve Complete	1062-814-2100	018-504
9.	Anchor Plate	16174-KZ4-6900	018-204
10.	Slow Jet	N424-21-xxx	Pg.148
11.	Jet Needle	N427-48-xxx	Pg.147
12.	Clip, Jet Needle	16115-169-0040	018-033
13.	Throttle Valve	N502-31x00	See chart
14.	Cable Holder	1101-805-2000	018-205
15.	Top	1030-872-2000	018-206
16.	Gasket, Top	1202-863-6000	018-207
17.	Air Adjust Screw	W1446-231-9900	018-089
18.	Spring, Air Adjust Screw	W1711-416-9900	018-090
19.	Spring, Throttle Valve	1290-920-2000	018-531
20.	Clip, Float Valve	0405-019-1000	018-674
21.	Screw, Float Bowl	93500-04014-1H	018-209
22.	Bowl, Vent Pipe	95003-07048-31	018-535
23.	Overflow Pipe	95003-05033-31	018-538
24.	Float Pin	W9525-25250	018-670
25.	Clip	W9535-35000	018-098
26.	Main Jet (hex type)	99101-357-xxx	Pg.150
27A	Cable Adjuster	W9581-59250	018-005
27B.	Cable Adjuster	W9581-59200	018-306
28.	Nut, Cable Adjuster	0208-007-1100	018-544
28A	Nut, Cable Adjuster	W1793-130-9900	018-008
31.	Cable Sealing Cap (Collar)	16118-166-0040	018-002
32.	Bowl Vent Pipe Complete	16199-KZ3-6900	018-537
33.	Screw (Top)	93500-04012-1H	018-211
41.	Washer	16085-KG8-9010-M1	018-208
42.	O-Ring	16075-KG8-9010-M1	021-043
46.	Collar	1118-929-7000	018-550



Keihin PWM38 Carburetor

The Keihin PWM38 carburetor is the "Hot Ticket" for 125 to 250cc Road Racing and Shifter Kart applications and 250cc Motocross.

The exclusive features built into the Keihin PWM38 result in improved top-end power, throttle response, and overall two-stroke engine performance. PWM38 carburetor sold standard jetting or Special Set, please specify when ordering.

Carburetor	Order No.
PWM38 Quad Vent	016-170

Please note: Special Set PWM carburetor is pre-jetted to your request or specific application. Please specify exact jetting details for each special set carburetor ordered.

PWM38 Quad Vent	016-204
-----------------	----------------



PWM Throttle Valve Chart

	Cutaway	Keihin No.	Order No.
Rich	4.0	N502-31C00	018-252
	5.0	N502-31D00	018-253
↑	6.0 (Std)	N502-31E00	018-254
	7.0	N502-31F00	018-255
	8.0	N502-31G00	018-256
Lean			



Tokyomod's Drain Plug

Keeps all fuel contaminants including water away from the main jet, helps control fuel slosh and bogging, won't get distorted from over tightening, and easy to reach for quicker jetting changes. Machined from 6061 aluminum. Also fits Keihin FCR-MX, PJ, PWK, PWM, and PE carbs.

Application	Color	Order No.
	Red	024-230R
FCR-MX, PJ, PWK, PWM, PE	Blue	024-230B
	Black	024-230K
	Mag	024-230M

Sudco PWM38 Carburetor Rebuild Kit

Sudco rebuild kit for the Keihin PWM contains GENUINE Keihin replacement parts. Sold as a kit.

Order No. **020-120**

Exploded

View No.	Qt	Contents
5.	1	Gasket, Float Bowl
7.	1	O-Ring, Plug Screw
8.	1	Float Valve Complete
12.	1	Clip, Jet Needle
16.	1	Gasket, Top
17.	1	Air Adjust Screw
18.	1	Spring, Air Adjust Screw
20.	1	Clip, Float Valve
21.	4	Screw, Float Bowl
24.	1	Float Pin
33.	2	Screw (Top)
41.	1	Washer
42.	1	O-Ring