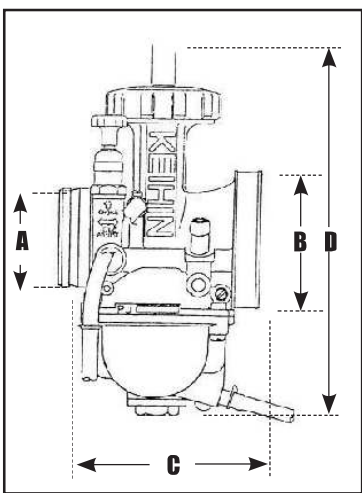
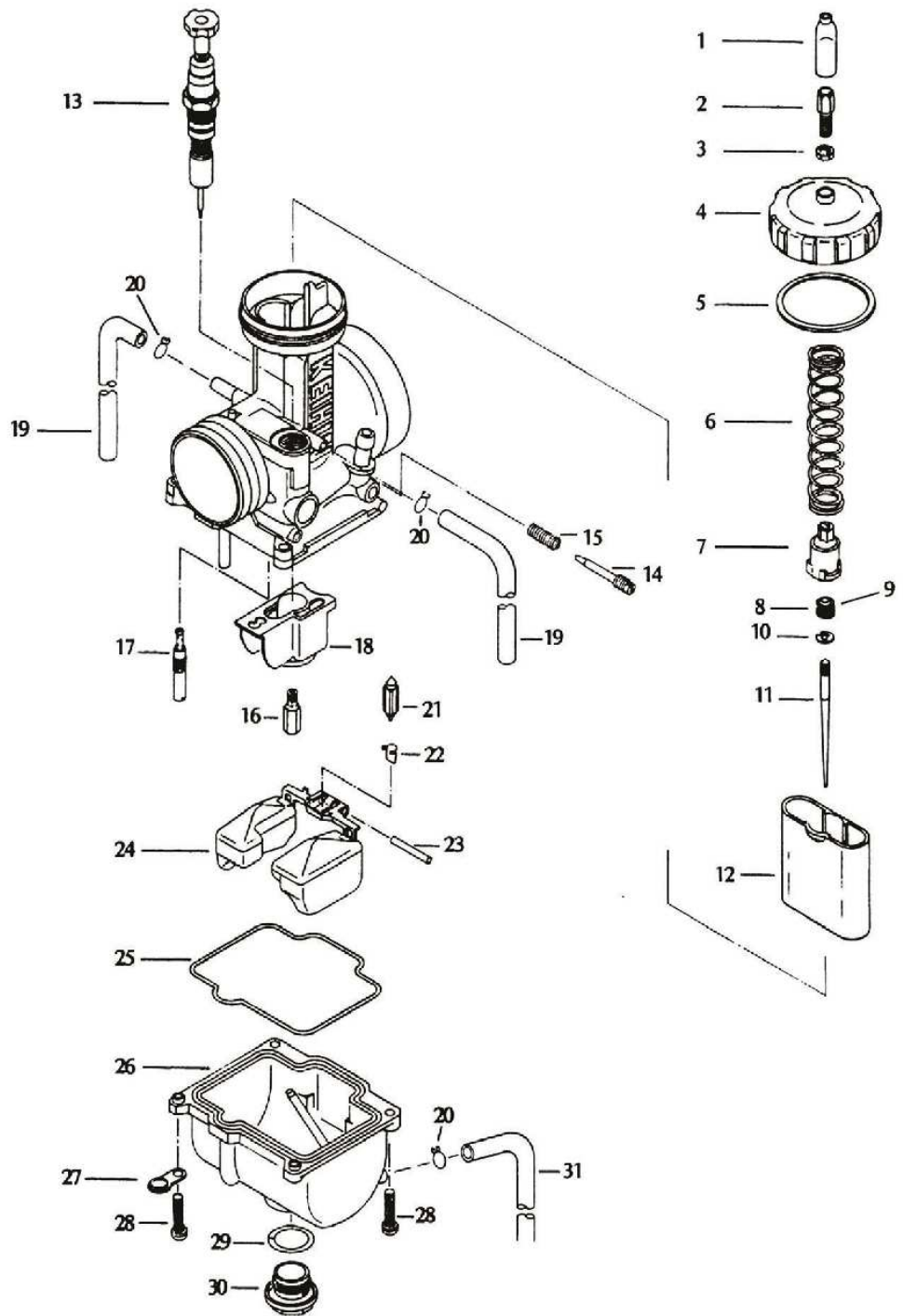


KEIHIN PJ Exploded View



NOTE: Do not remove parts that are not shown on this extended view.

Float Height

16mm



PJ34 Carburetor Dimensions

| Size (mm) | A | B | C | D |
|-----------|----|----|----|-------|
| PJ34 | 41 | 59 | 91 | 174.0 |

PJ Replacement Parts

Keihin Part No. Highlighted in **BOLD RED** are included in rebuild kit.

Carb Top Kit 34-36mm **018-975**

Includes the following parts:

018-002, 018-005, 018-008, 018-011, 018-015.

| No. | Description | Application | Keihin No. | Order No. |
|-----|----------------------|-------------|--------------------------|------------------|
| 1. | Cap, Cable Adjust | 34-38mm | 16118-166-0040 | 018-002 |
| 2. | Cable Adjuster | 34-38mm | W9581-59250 | 018-005 |
| 3. | Nut, Cable Adjuster | 34-38mm | W1793-130-9900 | 018-008 |
| 4. | Mixing Chamber, Top | 34-36mm | W1591-130-9910 | 018-011 |
| | | 38mm | W1591-131-9910 | 018-012 |
| 5. | Gasket, Top | 34-36mm | 16110-NC8-0040 | 018-015 |
| | | 38mm | 16110-ND5-7610-M1 | 018-016 |
| 6. | Throttle Spring | 34mm | 16050-KA3-7610-M1 | 018-019 |
| | | 36mm | 16050-KA4-7710-M1 | 018-020 |
| | | 38mm | 16050-KA5-6910-M1 | 018-021 |
| 7. | Cable Holder | 34-38mm | 16137-KA3-7610-M1 | 018-024 |
| 8. | Collar | 34-38mm | W1706-052-9900 | 018-027 |
| 9. | Spring | 34-38mm | 16051-KA3-7610-M1 | 018-030 |
| 10. | Clip, Jet Needle | 34-38mm | 16115-169-0040 | 018-033 |
| 11. | Jet Needle | 34-38mm | N427-48-xxx | Pg.147 |
| 12. | Throttle Valve | 34mm | W1502-2J (X) -9900 | see chart |
| | | 36mm | N502-22 (XX) -0-00 | see chart |
| | | 38mm | N502-23 (XX) -0-00 | see chart |
| 13. | Starter Valve | 34-36mm | 16046-KA3-7610-M1 | 018-085 |
| | | 38mm | 16046-KA5-6911 | 018-086 |
| 14. | Air Adjustment Screw | 34-38mm | W1446-231-9900 | 018-089 |
| 15. | Spring | 34-38mm | W1711-416-9900 | 018-090 |
| 16. | Main Jet | 34-38mm | 99101-357-xxx | Pg.150 |
| 17. | Slow Jet | 34-38mm | N424-21-xxx | Pg.148 |
| 18. | Baffle Plate | 34-38mm | 16185-KA3-7610-M1 | 018-092 |
| 19. | Air Vent Pipe | 34-38mm | 95003-07033-31 | 021-752 |
| 20. | Clip | 34-38mm | W9535-35000 | 018-098 |
| 21. | Float Valve | 34-38mm | W1362-019-9900 | 018-101 |
| 22. | Clip, Float Valve | 34-38mm | W1782-013-990 | 018-104 |
| 23. | Float Pin | 34-38mm | W9525-25250 | 018-670 |
| 24. | Float | 34-38mm | W1310-079-9921 | 018-110 |
| 25. | O-Ring, Float Bowl | 34-38mm | 16163-ND4-7510-M1 | 018-113 |
| 26. | Float Bowl | 34-38mm | W1350-289-9910 | 018-006 |
| 27. | Anchor Plate | 34-38mm | 16179-428-6711-M1 | 018-119 |
| 28. | Screw, Float Bowl | 34-38mm | 93892-04016-18 | 018-122 |
| 29. | Plug Screw O-Ring | 34-38mm | 16173-001-0040 | 018-664 |
| 30. | Main Jet Plug Screw | 34-38mm | 16162-ND4-7511-M1 | 018-128 |
| 31. | Overflow Tube | 34-38mm | 95003-05027-31 | 018-131 |



Keihin PJ Carburetor

Oval slide PJ34 carburetor for ATV and Offroad motorcycles.

The oval slide enables the engine to respond much quicker than with a conventional round slide carburetor.

| Carburetor | Description/Mark | Order No. |
|---------------|------------------|----------------|
| PJ34 Standard | PJ34/67R | 016-039 |

Use the following part number when ordering for special jetting request.
Please note: Special Set PJ carburetor is pre-jetted to your request or specific application. Please specify exact jetting details for each special set carburetor ordered.

| | | |
|------------------|----------|----------------|
| PJ34 Special Set | PJ34/67R | 016-180 |
|------------------|----------|----------------|



90° Cable Adjuster Assembly

This adjuster has threads on one end, the other end swivels. Includes rubber cap, locknut, cable adjuster and 90° tube. Works on Keihin and Mikuni carburetor caps.

Order No. **007-731**

PJ Throttle Valve Chart

| | Cutaway PJ34 | PJ36 | PJ38 |
|------|--------------------------|----------------|----------------|
| | W1505-2Jx-9900 | N502-22xx0-01 | N502-23xx0-01 |
| Rich | 4.0 018-040 | 018-054 | 018-068 |
| ↑ | 5.0 018-042 | 018-056 | 018-070 |
| | 6.0 (Std) 018-044 | 018-058 | 018-072 |
| ↓ | 7.0 018-046 | 018-060 | 018-074 |
| Lean | 8.0 018-048 | 018-062 | 018-076 |

Sudco PJ Carburetor Rebuild Kit

Sudco rebuild kit for the Keihin PJ34-38 contains GENUINE Keihin replacement parts. Sold as a kit.

Order No. **020-115**

Exploded

| View No. | Qt | Contents |
|----------|----|--------------------------|
| 5. | 1 | Gasket, Top (PJ34, PJ36) |
| | 1 | Gasket, Top (PJ38) |
| 10. | 1 | Clip, Jet Needle |
| 14. | 1 | Air Adjustment Screw |
| 15. | 1 | Spring |
| 18. | 1 | Baffle Plate |
| 21. | 1 | Float Valve |
| 22. | 1 | Clip, Float Valve |
| 23. | 1 | Float Pin |
| 25. | 1 | O-Ring, Float Bowl |
| 28. | 4 | Screw, Float Bowl |
| 29. | 1 | Plug Screw O-Ring |