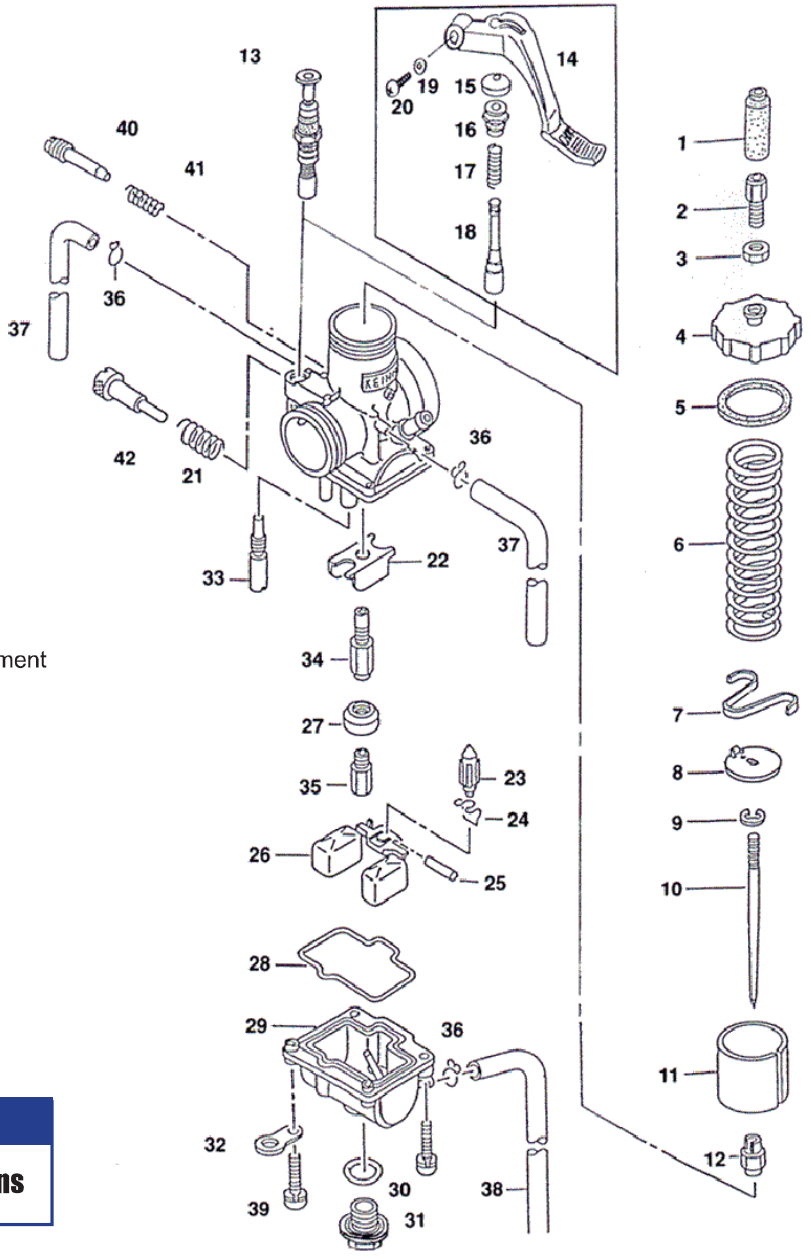
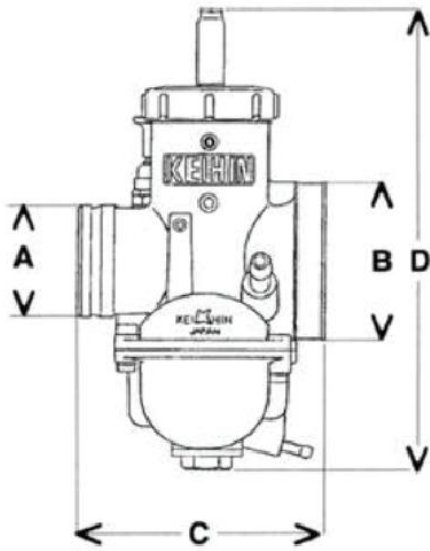


KEIHIN PE Exploded View



Keihin PE Series Carburetor

Whether you want a tunable performance carburetor or a replacement for your worn out original, the PE series is the right choice. Available sizes include PE20, 22, 24, 28 and PE38.



Float Height
See Specifications

NOTE: Do not remove parts that are not shown on this extended view.

PE Carburetor Dimensions

Size (mm)	A	B	C	D
PE20	31	46	83	136
PE22	31	46	83	136
PE24	31	46	83	142.1
PE26	33	48	83	140.5
PE28	35	50	83	150.9
PE38	44	62	95	182.5

PE Standard Jetting Specifications

Size (mm)	Main Jet	Slow Jet	Jet Needle	Throttle Valve	Float Height	Keihin No.	Order No.
PE20	#100	#58	36S00	4.0	19mm	PE20/R69	016-122
PE22	#102	#40	94D00	3.5	19mm	PE22/18S	016-123
PE24	#115	#52	36S00	3.0	19mm	PE24/S14	016-126
PE26	#142	#40	46JFH	2.0	19mm	PE26/78P	016-130
PE28	#125	#40	46-JFN	2.0	19mm	PE28/R37	016-127
PE38	#160	#60	48-AJM	3.5	22.5mm	PE38/R50	016-124

PE Throttle Valve Chart

Cutaway	PE20 G1502-QUx-9900	PE22 G1502-QHx-9900	PE24 G1502-1Sx-9900	PE38 G150204G-9900
Rich 2.0	---	---	---	---
2.5	---	---	---	---
3.0	---	---	---	---
3.5	---	---	---	---
4.0	---	---	021-374	021-330
4.5	---	---	---	---
5.0	---	---	---	---
5.5	---	---	---	---
Lean 6.0	---	---	---	---



Tokyomod's Drain Plug

Keeps all fuel contaminants including water away from the main jet, helps control fuel slosh and bogging, won't get distorted from over tightening, and easy to reach for quicker jetting changes. Machined from 6061 aluminum. Fits Keihin FCR-MX, PJ, PWK, PWM, and PE carbs.

See page 143 for colors, and order numbers

PE Replacement Parts

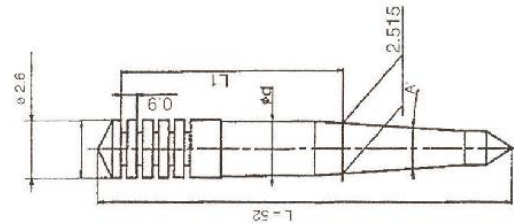
No.	Description	Application	Keihin No.	Order No.		
1.	Cap Cable Holder	20-24mm	16118-166-0040	018-002		
		30mm	16118-166-0040	018-002		
		34-38mm	W1597-023-9900	018-303		
2.	Cable Adjuster	20-24mm	W9581-59250	018-005		
		30mm	W9581-59250	018-005		
		34-38mm	W9581-59200	018-306		
		20-24mm	W1793-130-9900	018-008		
3.	Nut, Cable Adjuster	30mm	W1793-130-9900	018-008		
		34-38mm	W1793-121-9900	018-309		
		20-24mm	G591-145-9900	021-565		
4.	Top	36-38mm	G591-093-9900	021-781		
		20-24mm	W1593-040-9900	018-320		
5.	Gasket	26-28mm	W1593-039-9900	021-798		
		36-38mm	W1593-038-9900	021-782		
		20mm	G1711-614-9900	021-566		
6.	Throttle Spring	22mm	16050-GF5-6710-M1	021-785		
		24mm	16050-GF5-7410-M1	021-784		
		36-38mm	G1711-484-9900	021-783		
		20-24mm	16114-GF5-0040	021-567		
7.	Clip, T.V. Plate	26-28mm	W9574-20000	018-338		
		36-38mm	W9574-3500	018-341		
		22-24mm	W1506-028-9900	018-344		
8.	Throttle Valve Plate	26-28mm	W1506-027-9900	018-345		
		30mm	W1506-018-9900	018-346		
		34mm	W1506-019-9900	018-347		
		36-38mm	G1506-017-9900	021-786		
9.	Clip, Jet Needle	20-38mm	16115-169-0040	018-033		
10.	Jet Needle	20-24mm	G1427-36x-9900	See chart		
			1024-36x-9900-old number			
		26-28mm	N427-46-xxx	Pg.147		
		34-38mm	N427-48-xxx	Pg.147		
11.	Throttle Valve	20mm	G1502-OUx-9900			
		22mm	G1502-OHx-9900			
		24mm	G1502-1Sx-9900	Pg.144		
		38mm	G1502-04G-9900	Pg.144		
12.	Needle Jet	20-26mm	16164-169-0040	018-560		
13.	Choke Valve	26-28mm	16046-KA5-7710-M1	021-584		
		36-38mm	16046-KA5-7710-M1	021-584		
14.	Choke Lever	20-24mm	1165-031H-9900	021-568		
15.	Rubber Cap	20-24mm	16148-PJ7-0051	021-569		
16.	Choke Lever Holder	20-24mm	W1551-035-9901	018-362		
17.	Choke Valve Spring	20-24mm	W1711-403-9900	018-372		
18.	Choke Valve	20-24mm	W1275-020-9900	018-358		
19.	Collar	20-24mm	W1704-362-9900	021-570		
20.	Screw	20-24mm	93500-04012-1H	018-211		
		20-28mm	16052-KG8-9010-M1	018-382		
21.	Spring	30-38mm	G1711-286-9901	018-383		
		22.	Baffle Plate	34-38mm	G1130-004-9900	021-585
		23.	Float Valve	20-28mm	W1362-020-9901	018-389
				30-38mm	W1362-024-9900	021-787
24.	Clip, Float Valve	20-38mm	W1782-013-9900	018-104		
25.	Float Pin	20-38mm	W9525-25250	018-670		
26.	Float	20-22mm	W1310-067-9902	018-396		
		26mm	W1310-067-9902	018-396		
		28mm	W1310-080-9901	018-397		
		28mm	W1310-080-9902			
		30-36mm	G1310-059-9901	021-789		
		38mm	G1310-058-9911	021-788		
27.	Jet Holder	20-28mm	16168-GC4-7010-M1	018-402		
		30-38mm	16168-KA4-0040	018-403		
28.	Gasket, Float Bowl	20-28mm	W1354-042-9900	018-406		
		30-38mm	16163-ND4-7510-M1	018-113		
29.	Float Bowl	20-22mm	W1350-239-9903	018-409		
		24mm	W1350-291-9901	021-791		
		30-38mm	W1350-189-9910	021-790		
30.	Plug Screw O-Ring	20-38mm	16173-001-0040	018-664		
31.	Plug Screw	20-38mm	16162-ND4-7511-M1	018-128		
32.	Anchor Plate	30-38mm	16179-428-6711-M1	018-119		
33.	Slow Jet	20-22mm	N424-21-xxx	Pg.148		
		24mm	N424-32-xxx	Pg.148		
		26-30mm	N424-21-xxx	Pg.148		
		34-38mm	N424-22-xxx	Pg.148		

No.	Description	Application	Keihin No.	Order No.
34.	Needle Jet	20mm	G1413-34A-9900	021-793
		22mm	16165-GC4-7010-M1	021-794
		24-28mm	G1413-34A-9900	021-793
		30-38mm	16164-KA5-0041	021-792
35.	Main Jet	20-38mm	99101-357-xxx	Pg.151
36.	Clip/Pipe	20-38mm	W9535-35000	018-098
37.	Bowl, Vent Pipe	20-28mm	95003-07027-31	021-571
		34-38mm	95003-07039-31	021-795
38.	Overflow Pipe	20-28mm	95003-07030-31	
		30-38mm	95003-05030-31	021-796
39.	Screw, Float Bowl	20-38mm	93892-04016-18	018-122
40.	Air Adjust Screw	20-22mm	16080-KG8-9010-M1	021-573
		24mm	W1446-135-9900	021-797
		26-38mm	16080-KG8-9010-M1	021-573
41.	Spring	20-38mm	W1711-416-9900	018-090
42.	Throttle Stop Screw	20-22mm	W1536-120-9900	021-574
		24-28mm	W1536-105-9901	018-378
		30-38mm	W1536-065-9900	018-379

Cable Adjuster Holder

Cable adjuster holder to be used with Keihin PE20-28 Throttle Stop Screw (#42).

Order No. **021-799**



PE20-24mm Jet Needles 1024-36 () H-9900

Jet Needle selection notes: (see chart at bottom)

1. Taper and diameter are the 2 primary dimensions.
2. Larger diameter is leaner at low speeds.
3. Larger taper angle becomes richer faster as speed increases.
4. If diameter and taper are the same, larger L1 will stay leaner longer.
5. A higher clip position will stay lean longer.

Mark	Taper A	L1 Length	Diameter D	Order No.
A	2° 00'	21.98	2.485	017-700
B	2° 00'	22.43	2.435	017-701
C	2° 00'	22.43	2.495	017-702
D	2° 00'	21.98	2.495	017-703
E	2° 00'	23.78	2.445	017-704
F	2° 26'	23.84	2.525	017-705
G	3° 00'	23.89	2.515	017-706
H	3° 00'	23.89	2.525	017-707
J	3° 00'	23.89	2.535	017-708
K	3° 00'	23.89	2.505	017-709
L	3° 33'	27.22	2.485	017-710
N	3° 33'	23.92	2.545	017-712
P	3° 33'	27.22	2.475	017-713
Q	3° 33'	27.22	2.525	017-714
R	3° 33'	27.22	2.545	017-715
S	3° 33'	25.72	2.475	017-716