

# KEIHIN CR Special Racing Carburetors



## Keihin Roundslide CR Sidedraft Racing Carburetors

The choice of Team Honda for years on all there in-line 4-cylinder race bikes in Superbike, World Championship Endurance and Formula One classes. You'll find the power you need with these Keihin Roundslide CR carburetors. Designed for use on sidedraft four-stroke motorcycle engines. Features include: Improved throttle response; direct linkage to slides provides more precise control than vacuum slide carburetors. A 10% horsepower gain can be expected; Smooth venturi design produces stronger power than original equipment carburetors using butterfly throttle valves. Race fuel capability. Available for gasoline or alcohol use. Re-jetting required when using alcohol or methanol, kit available as an option. Ready to bolt-on and run, these kits come complete with mounting spigots, velocity stacks and velocity stack covers. Available sizes: 26, 29, 31, 33, 35, 37 and 39mm. Intake length can be adjusted with optional mounting adapter spigots. Most replacement and tuning parts are available, please see CR Special exploded view, parts list and parts/accessories on [page 124-131](#).

## CR Special Sets (Call for applications not listed)

### Honda

Model	Year	CR26	CR29	CR31	CR33	CR35
CB400F Super Sport	75-77	<b>016-300</b>	_____	_____	_____	_____
CB500	71-73	_____	<b>016-3023</b>	_____	_____	_____
CB550	74-78	_____	<b>016-3023</b>	_____	_____	_____
CB750F/K (SOHC)	77-78	_____	<b>016-3027</b>	<b>016-3052</b>	_____	_____
CB750F (DOHC) Super Sport	79-82	_____	<b>016-3026</b>	<b>016-3051</b>	<b>016-3075</b>	<b>016-3100</b>
CB750 (SOHC)	69-76	_____	<b>016-3025</b>	<b>016-3050</b>	_____	_____
CB750K (DOHC)	79-82	_____	<b>016-3026</b>	<b>016-3051</b>	<b>016-3075</b>	<b>016-3100</b>
CB900F Super Sport	80-82	_____	_____	<b>016-3051</b>	<b>016-3076</b>	<b>016-3100</b>
CB1100F Super Sport	1983	_____	_____	<b>016-3051</b>	<b>016-3076</b>	<b>016-3100</b>

### Kawasaki

ZX600A Ninja 600R	85-87	_____	_____	<b>016-3054</b>	<b>016-3082</b>	_____
ZX600B Ninja 600RX	1987	_____	_____	<b>016-3054</b>	<b>016-3082</b>	_____
ZX600C Ninja 600R	88-97	_____	_____	<b>016-3054</b>	<b>016-3082</b>	_____
KZ650B/C/D/E/F	77-80	_____	<b>016-3029</b>	_____	_____	_____
KZ750E/H/N	80-83	_____	<b>016-3029</b>	_____	_____	_____
ZX750F Ninja 750R	87-90	_____	_____	_____	_____	<b>016-3105</b>
Z1/A/B-900	73-75	_____	<b>016-3029</b>	<b>016-3055</b>	<b>016-3079</b>	<b>016-3103</b>
KZ900A	76-77	_____	<b>016-3029</b>	<b>016-3055</b>	<b>016-3079</b>	<b>016-3103</b>
KZ900B LTD	1976	_____	<b>016-3029</b>	<b>016-3055</b>	<b>016-3079</b>	<b>016-3103</b>
ZX900A Ninja 900R	84-86	_____	_____	_____	<b>016-3083</b>	<b>016-3106</b>
KZ1000	77-80	_____	<b>016-3029</b>	<b>016-3055</b>	<b>016-3079</b>	<b>016-3103</b>
KZ1000J/K/M	81-82	_____	<b>016-3030</b>	<b>016-3055</b>	<b>016-3080</b>	<b>016-3103</b>
KZ1000R Replica	82-83	_____	<b>016-3030</b>	<b>016-3055</b>	<b>016-3080</b>	<b>016-3103</b>
ZX1000A Ninja 1000R	86-87	_____	_____	_____	<b>016-3084</b>	<b>016-3106</b>
KZ1100	81-83	_____	<b>016-3030</b>	<b>016-3055</b>	<b>016-3080</b>	<b>016-3103</b>
KZ1100B GPz	81-82	_____	<b>016-3030</b>	<b>016-3055</b>	<b>016-3080</b>	<b>016-3103</b>
ZX1100A GPz	83-84	_____	<b>016-3030</b>	<b>016-3055</b>	<b>016-3080</b>	<b>016-3103</b>

# KEIHIN CR Special Racing Carburetors

## Suzuki

Model	Year	CR26	CR29	CR31	CR33	CR35
GSX600F Katana		_____	_____	_____	016-3092	_____
GS750 2-Valve	77-79	_____	016-3033	_____	_____	_____
GS750E 2-Valve	80-82	_____	016-3033	_____	_____	_____
GS750L 2-Valve	79-81	_____	016-3033	_____	_____	_____
GS750ED/ESD 4-Valve	1983	_____	016-3034	016-3059	_____	_____
GS750T 4-Valve	82-83	_____	016-3034	016-3059	_____	_____
GS750SD Katana 4-Valve	1983	_____	016-3034	016-3059	_____	_____
GS850	80-83	_____	_____	016-3060	016-3090	_____
GS1000		_____	_____	016-3061	016-3090	016-3109
GS1100		_____	_____	_____	016-3090	_____
GSX1100		_____	_____	016-3061	016-3090	016-3110
GSX-R1100 Air Cooled	89-92	_____	_____	_____	_____	_____
GS1150	83-86	_____	_____	_____	016-3090	_____

## Yamaha

FJ600	84-85	_____	016-3037	*016-3064	_____	_____
				*Race motor only		
FZ600	86-88	_____	016-3037	*016-3064	_____	_____
				*Race motor only		
XJ650		_____	_____	016-3065	_____	_____
XJ1100 Maxim	1982	_____	_____	_____	016-3096	_____
XS1100		_____	_____	_____	016-3097	016-3113
FJ1100	84-85	_____	_____	_____	016-3096	016-3113
FJ1200	86-92	_____	_____	_____	016-3096	016-3113

## Keihin CR Dual Roundslide Racing Carburetors

Ready to bolt-on and run, these kits come complete with mounting spigots and velocity stacks, or can bolt up to a pod air filter system. Requires a push-pull throttle assembly, available as an option. Available sizes: 31, 33, 35, 37 and 39mm. Most replacement and tuning parts are available, please see CR Special exploded view and parts list on [page 124-125](#).



## CR Dual Carburetor Sets (Call for applications not listed)

## Honda

Model	Year	CR31	CR33	CR35	CR37
CB350K Super Sport (will not fit stock frame)		016-3200	_____	_____	_____
CB450K Super Sport	68-74	_____	016-3225	016-3250	016-3275
CB500T	75-76	_____	_____	_____	016-3275

## Kawasaki \*\*\*please specify model year when ordering

EX250 Ninja 250R *Race motor only		016-3205	_____	_____	_____
EX500		_____	016-3228	016-3253	016-3278

## Suzuki Street

GS500E	1989-	_____	016-3231	016-3256	016-3284
DR750		_____	_____	_____	_____

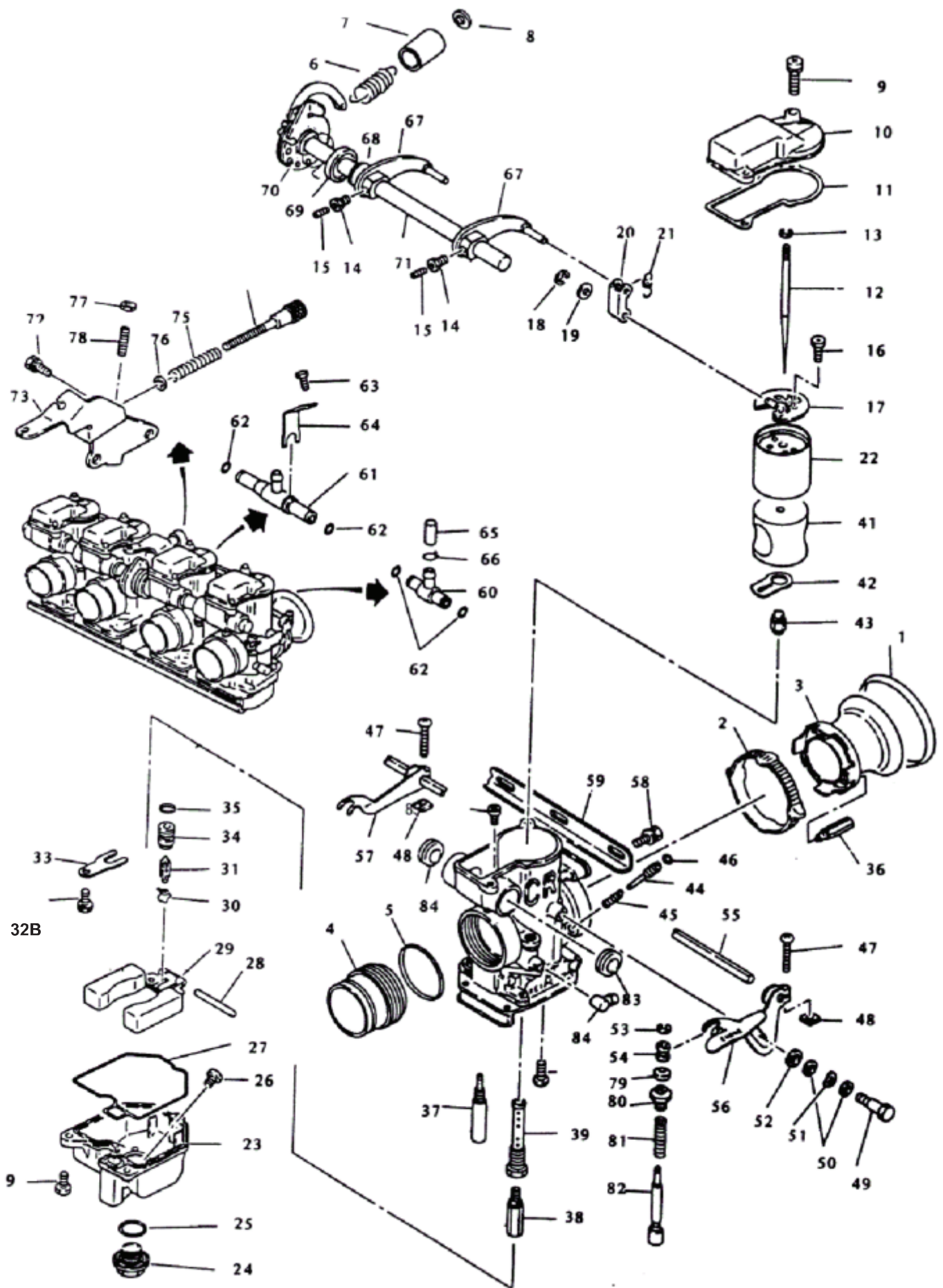
## Triumph

Bonneville	2001 on	_____	_____	016-3600	_____
------------	---------	-------	-------	----------	-------

## Yamaha

SRX600S/SC	1986	016-3210	016-3234	016-3259	016-3281
TT600K/L/N/S	83-86	016-3210	016-3234	_____	_____
XT600		016-3210	016-3234	_____	_____

# KEIHIN CR Special Exploded View



Float Height

14mm

Carburetors are intended for off-road riding and racing use only. Not legal for use in California or other locations where similar pollution laws may apply.

## CR Special (CRS) Replacement Parts

**Applications:** CR26, CR29, CR31, CR33, CR35, CR37, CR39.

**Keihin Part No. highlighted in BOLD RED are included in rebuild kit.**

No.	Description	Application	Keihin No.	Order No.
1.	Rubber Cap	26-33mm	R028-004-7000	<b>018-811</b>
		35-39mm	1028-809-7000	<b>018-810</b>
2.	Velocity Stack 45mm	26-33mm	1130-800-2001	<b>020-220</b>
	Velocity Stack 70mm	26-33mm	1130-801-2001	<b>020-222</b>
	Velocity Stack 45mm	35-39mm	1130-802-2001	<b>020-244</b>
3.	Clamps	26-33mm	1129-803-7000	<b>018-798</b>
		35-39mm	1129-804-7000	<b>018-799</b>
4.	Mounting Adapters (Spigots)			<b>Pg.126-127</b>
5.	O-Ring	26-33mm	<b>0901-812-6000</b>	<b>018-600</b>
		35-39mm	<b>0901-012-6000</b>	<b>018-601</b>
6.	Tension Spring	26-39mm	1291-804-2000	<b>018-604</b>
7.	Tube	26-39mm	0840-846-0000	<b>018-606</b>
8.	Collar	26-39mm	1118-878-2000	<b>018-608</b>
9.	Screw	26-39mm	4139-802-1100	<b>018-610</b>
10.	Top Cap	26-39mm	1030-814-2002	<b>018-612</b>
11.	Gasket, Top Cap	26-39mm	<b>1031-802-2002</b>	<b>018-614</b>
12.	Jet Needle (see page 53 for * optional Jet Needles)			
	5 Clip position	26-33mm	N427-11Y-xxx	<b>Pg.131</b>
	7 Clip position	26-33mm	N427-12Y-xxx	<b>Pg.131</b>
	5 Clip position	35-39mm	N427-38-xxx	<b>Pg.131</b>
	7 Clip position	35-39mm	N427-51-xxx	<b>Pg.131</b>
13.	Clip	26-39mm	0403-802-1000	<b>018-616</b>
14.	Locknut	26-39mm	0208-803-1200	<b>018-618</b>
15.	Stop Screw	26-39mm	1034-814-2000	<b>018-620</b>
16.	Screw	26-39mm	W9155-04060	<b>018-622</b>
17.	Valve Plate	26-33mm	1019-802-2101	<b>018-624</b>
		35-39mm	1019-801-2101	<b>018-625</b>
18.	Clip	26-39mm	W9302-3000	<b>018-626</b>
			16179-676-3000	
19.	Plain Washer	26-39mm	0301-825-7000	<b>018-628</b>
20.	Link Arm	26-39mm	1061-805-2000	<b>018-630</b>
21.	Spring	26-39mm	1291-802-2000	<b>018-632</b>
22.	Throttle Valve	26-33mm	N502-04x-00	<b>Pg.129</b>
		35-39mm	N502-03x-00	<b>Pg.129</b>
23.	Float Bowl	26-39mm	1050-825-2000	<b>018-660</b>
24.	Drain Bolt	26-39mm	1018-801-2000	<b>018-662</b>
25.	O-Ring	26-39mm	<b>16173-001-0040</b>	<b>018-664</b>
26.	Starter Jet	26-39mm	1001-108-xxx	<b>Pg.149</b>
27.	O-Ring	26-39mm	<b>0901-811-6000</b>	<b>018-668</b>
28.	Arm Pin	26-39mm	<b>W9525-25250</b>	<b>018-670</b>
29.	Float	26-39mm	1052-818-2100	<b>018-672</b>
30.	Clip	26-39mm	<b>0405-019-1000</b>	<b>018-674</b>
31.	Needle Valve	26-39mm	<b>16155-ZG8-L100</b>	<b>018-676</b>
32.	Screw	26-39mm	W9155-04060	<b>018-622</b>
33.	Plate	26-39mm	1164-038-2000	<b>018-678</b>
34.	Valve Seat (Std)	26-39mm	<b>N360-01L00-3.2</b>	<b>018-690</b>
	Valve Seat (*Optional)	26-39mm	N360-01x00	<b>Pg.128</b>
35.	O-Ring, Valve Seat	26-39mm	<b>16075-MB0-0030</b>	<b>018-694</b>
36.	Main Air Jet	26-39mm	N424-14-xxx	<b>Pg.151</b>
37.	Slow Jet	26-39mm	N424-24-xxx	<b>Pg.148</b>
38.	Main Jet	26-39mm	99101-357-xxx	<b>Pg.150</b>
39.	Nozzle Holder	26-39mm	N426-04000	<b>018-696</b>
40.	Screw	26-39mm	4115-800-1101	<b>018-698</b>
41.	Jet Block	26-39mm	1605-xxx-2001	<b>Pg.130</b>
42.	Gasket	26-33mm	1202-809-2002	<b>018-710</b>
		35-39mm	1202-808-2002	<b>018-712</b>
43.	Nozzle, Flat Type	26-39mm	1041-800-2000	<b>018-714</b>
	Nozzle, Screen Type	26-39mm	1041-801-2000	<b>018-715</b>
	Nozzle Screen Type-Used for drag racing and alcohol conversions.			
44.	Air Screw	26-39mm	1014-004-2002	<b>018-718</b>
45.	Spring	26-39mm	1290-003-2001	<b>018-720</b>
46.	O-Ring	26-39mm	<b>0901-006-6000</b>	<b>018-722</b>
47.	Screw	26-39mm	4110-806-1100	<b>018-724</b>
48.	Nut	26-39mm	0205-800-1100	<b>018-726</b>
49.	Bolt	26-39mm	0118-801-1100	<b>018-728</b>

No.	Description	Application	Keihin No.	Order No.
50.	Plain Washer	26-39mm	0301-009-1100	<b>018-730</b>
51.	Wave Washer	26-39mm	2007-800-2000	<b>018-732</b>
52.	Plain Washer	26-39mm	0301-104-7000	<b>018-734</b>
53.	Clip	26-39mm	W9302-25000	<b>018-736</b>
54.	Collar	26-39mm	1118-801-2000	<b>018-738</b>
55.	Shaft	26-39mm	1111-813-2000	<b>018-740</b>
56.	Lever	26-39mm	1113-861-2001	<b>018-742</b>
57.	Lever	26-39mm	1113-862-2000	<b>018-744</b>
58.	Screw	26-39mm	4139-804-1100	<b>018-746</b>
59.	Bracket, Top/Bottom	26-39mm	1190-833-2000	<b>018-748</b>
60.	T-Joint	26-39mm	1077-804-7000	<b>018-751</b>
61.	T-Joint	26-39mm	1077-803-7000	<b>018-753</b>
			Single Outlet	<b>021-853</b>
62.	O-Ring	26-39mm	<b>W9351-13057</b>	<b>018-755</b>
63.	Screw	26-39mm	W9155-04060	<b>018-622</b>
64.	Bracket	26-39mm	1190-832-2000	<b>018-757</b>
64A.	Bracket (Closer)	26-39mm	1190-869-2000	<b>021-852</b>
65.	Rubber Cap	26-39mm	<b>1028-808-7000</b>	<b>018-759</b>
66.	Clip	26-39mm	<b>W9535-55000</b>	<b>018-761</b>
67.	Link Lever	26-39mm	1100-836-2100	<b>018-763</b>
68.	Collar	26-39mm	1118-861-7000	<b>018-765</b>
69.	Collar	26-39mm	1118-860-7000	<b>018-767</b>
70.	Spring	26-39mm	1305-883-2000	<b>018-769</b>
71.	Throttle Shaft 4-cyl.	26-39mm	5025-847-2200	<b>018-771</b>
71A.	Throttle Shaft 2-cyl.		5025-891-2101	<b>021-556</b>
72.	Screw	26-39mm	4139-803-1100	<b>018-773</b>
73.	Bracket	26-39mm	1190-831-2002	<b>018-775</b>
74.	Idle Speed Screw (Stop Screw)	26-39mm	1034-808-2000	<b>018-777</b>
74A.	Idle Speed Screw* (Stop Screw) *Option	26-39mm	1034-902-2100	<b>018-778</b>
75.	Spring	26-39mm	1290-849-2003	<b>018-779</b>
76.	Plain Washer	26-39mm	16178-ML7-0040	<b>018-781</b>
			W9201-05100 (old number)	
77.	Nut	26-39mm	94001-0508-0S	<b>018-783</b>
78.	Screw	26-39mm	93500-05025-1H	<b>018-785</b>
79.	Rubber Cap	26-39mm	1028-042-7001	<b>018-787</b>
80.	Cap	26-39mm	1029-805-7000	<b>018-789</b>
81.	Spring	26-39mm	1300-136-2000	<b>018-791</b>
82.	Starter Valve	26-39mm	1166-802-2101	<b>018-793</b>
83.	Seal	26-39mm	1099-805-7000	<b>018-795</b>
84.	L-Joint	26-39mm	1074-817-7001	<b>018-797</b>
85.	Air Leak Jet	26-39mm	1001-108-xxx	<b>Pg.150</b>
86.	End Cap	26-39mm	1096-810-2000	<b>018-796</b>

See page 128 for CR Special Carburetor Kits and Methanol Conversion Kits.



# KEIHIN CR Special Parts & Accessories



## Sudco Methanol Conversion Kit

The Methanol Kit from Sudco includes all the necessary components: main jets, needles, needle valves, etc. All the jetting required to convert your Keihin CR Special carburetor to methanol usage. Sold as a kit. **Note: Requires experienced tuner or technician familiar with re-jetting for methanol usage.**

Application	Order No.
CR Special 26-33mm	<b>018-855</b>
CR Special 35-39mm	<b>018-856</b>

## Sudco CR Special Carburetor Rebuild Kits

Sudco rebuild kits for CR specials contain GENUINE Keihin replacement parts, everything necessary to perform routine carburetor service. Kits are sold per set for 4 carbs. Two kits available;

Description	Order No.
CR Special 26-33mm Rebuild Kit.	<b>018-851</b>
CR Special 35-39mm Rebuild Kit.	<b>018-852</b>

**Note:** Kits come with 3.2 Needle Seat size. 2.4 Needle Seat size is available as an option. Please specify needle seat size when ordering carb rebuild kit.



## CR Special Needle Valve Seats

Valve Seat diameter should be determined according to maximum fuel flow and fuel pressure. Valve Seat only, Sold each.

Size	Keihin No.	Order No.
1.6mm	N360-01D00	<b>018-682</b>
1.8mm	N360-01E00	<b>018-683</b>
2.0mm	N360-01F00	<b>018-684</b>
2.2mm	N360-01G00	<b>018-685</b>
2.4mm	N360-01H00	<b>018-686</b>
2.6mm	N360-01I00	<b>018-687</b>
2.8mm	N360-01J00	<b>018-688</b>
3.0mm	N360-01K00	<b>018-689</b>
3.2mm	N360-01L00	<b>018-690</b>
O-Ring for Needle Valve seats listed	16075-MB0-0030	<b>018-694</b>
Needle Valve for Valve Seats listed	16155-ZG8-L100	<b>018-676</b>
Clip for Needle Valve	0405-019-1000	<b>018-674</b>

## Exploded (Page 124)

View No.	Qt	Contents
5.	4	ADP O-Ring
11.	4	Gasket
25.	4	O-Ring
27.	4	O-Ring
28.	4	Arm Pin
30.	4	Clip
31.	4	Needle Valve
34.	4	Needle Valve Seat 3.2
35.	4	O-Ring
46.	4	O-Ring
62.	12	O-Ring
65.	2	Rubber Cap
66.	2	Inlet Cap Clip
<b>34.</b>	<b>4</b>	<b>Needle Valve Seat 2.4* is available as an option. Please specify when ordering.</b>



# KEIHIN CR Special Parts & Accessories



## Keihin CR Special Velocity Stacks

The Keihin Velocity Stacks are the most efficient and are a perfect fit for the CR Special Smoothbores. These stacks are available in selected sizes shown. No tools are necessary for installation. Sold each. **Clamps sold separate.**

Length	Color	Carb Size	Keihin No.	Order No.
45mm Straight	Black	26-33mm	1130-800-2001	<b>020-220</b>
70mm Straight	Black	26-33mm	1130-801-2001	<b>020-222</b>
45mm Straight	Black	35-39mm	1130-802-2001	<b>020-244</b>
Clamp	Gray	26-33	1129-803-7000	<b>018-798</b>
Clamp	Gray	35-39	1129-803-7000	<b>018-799</b>



## Keihin CR K&N Air Filters

K&N Air Filters for Keihin CR Specials. Sold each.

Description	Size	Order No.
RC-1820 with Chrome End Cap	26-33mm	<b>005-140</b>
RC-0981 with Chrome End Cap	35-39mm	<b>005-121</b>
RU-0981 with Rubber End Cap	35-39mm	<b>005-744</b>



## Throttle Valves

To enrichen the throttle valve, use a smaller number (cutaway). Recommended increment change is .5mm. Sold each.

Description	Keihin No.	Order No.
2.0 slide for CR26-33mm	N502-04A	<b>018-640</b>
2.5 slide for CR26-33mm	N502-04B	<b>018-641</b>
3.0 slide for CR26-33mm	N502-04C	<b>018-642</b>
3.5 slide for CR26-33mm	N502-04D	<b>018-643</b>
4.0 slide for CR26-33mm	N502-04E	<b>018-644</b>
2.0 slide for CR35-39mm	N502-03A	<b>018-650</b>
2.5 slide for CR35-39mm	N502-03B	<b>018-651</b>
3.0 slide for CR35-39mm	N502-03C	<b>018-652</b>
3.5 slide for CR35-39mm	N502-03D	<b>018-653</b>
4.0 slide for CR35-39mm	N502-03E	<b>018-654</b>



## Idle Speed Screw (Stop Screw)

(No. 74A Exploded View) Optional longer length Idle Speed Screw for Keihin CR Special carburetors. Sold Each. See page 124 exploded view and page 125 replacement parts, No. 74A.

Description	Keihin No.	Order No.
Idle Speed Screw (Stop Screw)	1034-902-2100	<b>018-778</b>



# KEIHIN CR Special Parts & Accessories



018-696

018-714

018-715

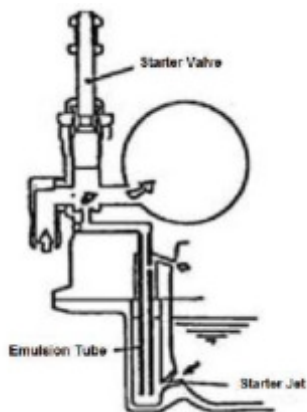
## Jet Blocks Sold each.

Size	Keihin No.	Order No.
CR26mm	1605-806-2001	018-701
CR29mm	1605-809-2000	018-702
CR31mm	1605-811-2000	018-703
CR33mm	1605-813-2000	018-704
CR35mm	1605-801-2001	018-705
CR37mm	1605-803-2000	_____
CR39mm	1605-805-2000	018-707

## Nozzle & Nozzle Holder Sold each

There are two primary type nozzles, Flat and Screen type. The combination of nozzle and nozzle holder controls full throttle fuel delivery characteristics. The Flat Nozzle is stock. Screen type nozzle flows more fuel at high RPM's and is used for drag racing and alcohol conversions.

Description	Keihin No.	Order No.
Nozzle Holder	N426-04000	018-696
Flat Nozzle	1041-800-2000	018-714
Screen Nozzle	1041-801-2000	018-715



## CR Special Starter Jets (1001-108-XXX)

The starter jet adjusts the richness of the starter valve by metering the amount of fuel entering from float bowl.

**Applications:** CR Special (CRS) 26 - 33mm, 35 - 39mm Carburetors.

Size	Order No.	Size	Order No.
#35	019-370	#60	019-375
#40	019-371	#65	019-376
#45	019-372	#70	019-377
#50	019-373		

## Main Air Jet N424-14-XXX

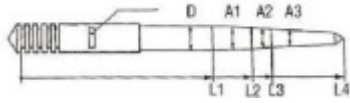
The Main Air Jet meters the air entering the needle jet holder. Use smaller number to richen.

**Applications:** CR Special (CRS) 26 - 33mm & 35 - 39mm Carburetors

Size	Order No.	Size	Order No.	Size	Order No.
#80	019-301	#140	019-309	#200	019-315
#90	019-303	#150	019-310	#210	019-316
#95	019-304	#160	019-311	#220	019-317
#100	019-305	#170	019-312	#230	019-318
#110	019-306	#180	019-313	#240	019-319
#120	019-307	#190	019-314	#250	019-320
#130	019-308				

# KEIHIN CR Special Jet Needles

## 5 Clip Positions



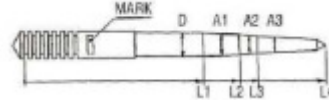
### CR26-33mm (5-Clip Position) Sold each.

Size	Keihin No.		Order No.
Y60	N427-11Y60	↑ Richer ↓	<b>017-130</b>
Y70	N427-11Y70		<b>017-131</b>
Y80	N427-11Y80		<b>017-132</b>
Y90	N427-11Y90		<b>017-133</b>
Y00	N427-11Y00		<b>017-134</b>
Y01	N427-11Y01		<b>017-135</b>
Y02	N427-11Y02		<b>017-136</b>
Y03	N427-11Y03	Leaner	<b>017-137</b>
			<b>017-138</b>

#### Clip for Jet Needle

0403-802-1000 **018-616**

## 7 Clip Positions



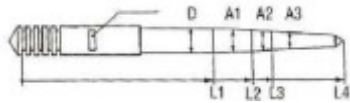
### CR26-33mm (7-Clip Position) Sold each.

Size	Keihin No.		Order No.
YY5	N427-12Y50	↑ Richer ↓	<b>017-074</b>
YY6	N427-12Y60		<b>017-075</b>
YY7	N427-12Y70		<b>017-076</b>
YY8	N427-12Y80		<b>017-077</b>
YY9	N427-12Y90		<b>017-078</b>
YY0	N427-12Y00		<b>017-079</b>
YY1	N427-12Y10		<b>017-080</b>
YY2	N427-12Y20		<b>017-081</b>
YY3	N427-12Y30	Leaner	<b>017-082</b>

#### Clip for Jet Needle

0403-802-1000 **018-616**

## 5 Clip Positions



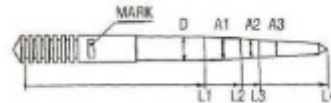
### CR35-39mm (5-Clip Position) Sold each.

Size	Keihin No.		Order No.
3865	N427-38A00	Richer	—
3867	N427-38B00	↓	—
3869	N427-38C00		Leaner

#### Clip for Jet Needle

0403-802-1000 **018-616**

## 7 Clip Positions



### CR35-39mm (7-Clip Position) Sold each.

Size	Keihin No.		Order No.
5173	N427-51A00	↑ Richer ↓	<b>017-100</b>
5174	N427-51B00		<b>017-101</b>
5175	N427-51C00		<b>017-102</b>
5176	N427-51D00		<b>017-103</b>
5177	N427-51E00		<b>017-104</b>
5178	N427-51F00		<b>017-105</b>
5179	N427-51G00		<b>017-106</b>
5180	N427-51H00		<b>017-107</b>
5181	N427-51J00		<b>017-108</b>
5182	N427-51K00		<b>017-109</b>
5183	N427-51L00	Leaner	<b>017-110</b>

#### Clip for Jet Needle

0403-802-1000 **018-616**



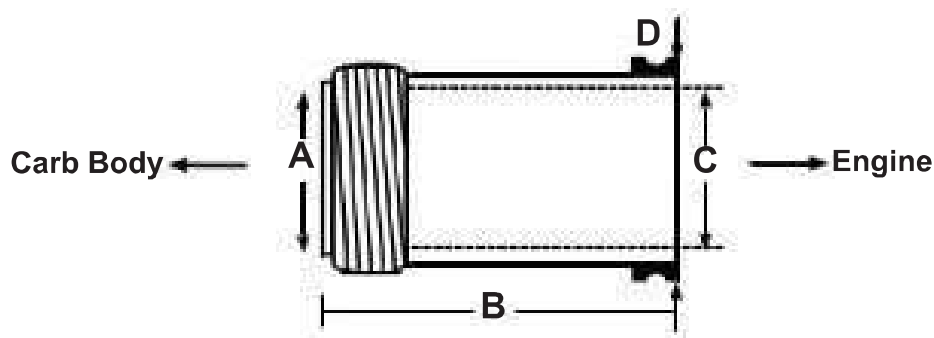
## Sudco Carburetor Needle Shims

Sold 12 piece package.

Description	Dimensions - Inside, Outside, Thickness	Order No.
Most Keihin	3.2mm I.D. x 7mm O.D. x .020" (0.5mm) thick	<b>009-396</b>
Most Mikuni	2.7mm I.D. x 6.35mm O.D. x .020" (0.5mm) thick	<b>009-395</b>



# KEIHIN CR Special Mounting Adapters (Spigots)



See Page 127 for Dimensions

## Keihin CR Special Mounting Adapters (Spigots) Sold each.

### Honda

Application	26mm	29mm	31mm	33mm	35mm	37mm	39mm
CB650 82-on	_____	<b>020-023</b>	<b>020-013</b>	_____	_____	_____	_____
CB700SC	_____	<b>020-023</b>	<b>020-013</b>	_____	_____	_____	_____
CB750SOHC	_____	<b>020-473</b>	<b>020-474</b>	_____	_____	_____	_____
CB750DOHC	Special Adapter for Racing Use	_____	<b>020-044</b>	<b>020-049</b>	<b>020-060</b>	_____	_____
CB900DOHC	_____	<b>020-032</b>	<b>020-044</b>	<b>020-049</b>	<b>020-060</b>	<b>020-069</b>	<b>020-080</b>
CB1100	_____	_____	_____	<b>020-049</b>	<b>020-060</b>	<b>020-069</b>	<b>020-080</b>

### Kawasaki

GPz550 82	<b>020-040</b>	_____	_____	_____	_____	_____	_____
ZX600R Ninja	_____	_____	<b>020-025</b>	<b>020-026</b>	_____	_____	_____
ZX900 Ninja	_____	_____	_____	<b>020-051</b>	<b>020-076</b>	_____	_____
ZX1000R	_____	_____	_____	<b>020-050</b>	<b>020-076</b>	<b>020-069</b>	_____
KZ750 Z11	_____	<b>020-012</b>	_____	<b>020-042</b>	_____	_____	_____
KZ750 FXII/III	_____	<b>020-010</b>	<b>020-031</b>	_____	<b>020-065</b>	_____	_____
KZ900 Z1	_____	<b>020-012</b>	<b>020-025</b>	<b>020-042</b>	<b>020-028</b>	_____	_____
KZ1000	_____	_____	<b>020-025</b>	<b>020-026</b>	<b>020-028</b>	<b>020-069</b>	<b>020-080</b>
GPz1100	_____	_____	_____	<b>020-051</b>	<b>020-066</b>	<b>020-069</b>	<b>020-080</b>
GPX750	_____	_____	_____	<b>020-052</b>	<b>020-059</b>	_____	_____

### Suzuki

GS750	_____	<b>020-024</b>	<b>020-025</b>	<b>020-026</b>	_____	_____	_____
GS850	_____	<b>020-024</b>	<b>020-025</b>	<b>020-026</b>	<b>020-028</b>	_____	_____
GS1000	_____	_____	<b>020-025</b>	<b>020-026</b>	<b>020-028</b>	_____	_____
GSX1000	_____	<b>020-023</b>	<b>020-013</b>	_____	_____	_____	_____
GSX-R750	_____	_____	_____	<b>020-051</b>	<b>020-066</b>	<b>020-069</b>	_____
GSX-R1100	_____	_____	_____	_____	<b>020-092</b>	<b>020-069</b>	<b>020-080</b>
GS1100	_____	_____	_____	<b>020-051</b>	<b>020-076</b>	<b>020-069</b>	<b>020-080</b>
GS1150	_____	_____	_____	<b>020-051</b>	<b>020-059</b>	<b>020-069</b>	<b>020-080</b>

### Yamaha

XS750	_____	_____	<b>020-034</b>	_____	_____	_____	_____
XJ1100/ XS1100	_____	_____	_____	<b>020-051</b>	<b>020-076</b>	_____	_____
FJ1100/FJ1200	_____	_____	_____	<b>020-051</b>	<b>020-076</b>	_____	_____
FZ600	_____	<b>020-024</b>	<b>020-025</b>	(use FJ600 Rubber Flange)	_____	_____	_____

### Dual CR Adapters

Kaw EX250R	_____	_____	<b>020-099</b>	<b>020-098</b>	_____	_____	_____
Kaw EX500	_____	_____	_____	<b>020-050</b>	<b>020-083</b>	<b>020-081</b>	<b>020-091</b>
Yam SRX600	_____	_____	<b>020-099</b>	<b>020-098</b>	<b>020-097</b>	<b>020-088</b>	_____
Triumph Bonneville	_____	_____	_____	_____	<b>020-072</b>	_____	_____

# **KEIHIN CR Special Mounting Adapters (Spigots)**

The CR Special mounting adapter spigots are made in Japan by Keihin especially for the CR Special carburetor for custom designs. Sold each.

<b>Application</b>	<b>ID Mark</b>	<b>I.D. Carb Side "A"</b>	<b>Length "B"</b>	<b>I.D. Engine "C"</b>	<b>O.D. Engine "D"</b>	<b>Order No.</b>
<b>CR26</b>	N195-07A00	26mm	28mm	26mm	30mm	<b>020-064</b>
<b>CR26</b>	1253-832-2000	26mm	40mm	26mm	35mm	<b>020-039</b>
<b>CR26</b>	1253-834-2000	26mm	56mm	30mm	36mm	<b>020-040</b>
<b>CR26</b>		26mm	42mm	26mm	34mm	<b>020-499</b>
<b>CR29</b>	1253-801-2000	29mm	46mm	34.2mm	40mm	<b>020-010</b>
<b>CR29</b>	1253-802-2001	29mm	45mm	34.4mm	44mm	<b>020-011</b>
<b>CR29</b>	1253-803-2001	29mm	42mm	29mm	34mm	<b>020-012</b>
<b>CR29</b>	1253-815-2000	29mm	34.5mm	34.5mm	40mm	<b>020-023</b>
<b>CR29</b>	1253-816-2000	29mm	42mm	34.5mm	40mm	<b>020-024</b>
<b>CR29</b>	1253-824-2000	29mm	40mm	36.5mm	44mm	<b>020-032</b>
<b>CR29</b>	1253-835-2000	29mm	29mm	29mm	34mm	<b>020-041</b>
<b>CR29</b>	N195-05A00	29mm	38mm	30mm	40mm	<b>020-062</b>
<b>CR29</b>	N195-06A00	29mm	46mm	32.5mm	40mm	<b>020-063</b>
<b>CR29</b>	N195-10F00	29mm	28mm	29mm	37mm	<b>020-473</b>
<b>CR31</b>	1253-804-2000	31mm	34.5mm	34.5mm	40mm	<b>020-013</b>
<b>CR31</b>	1253-817-2000	31mm	42mm	34.5mm	40mm	<b>020-025</b>
<b>CR31</b>	1253-823-2000	31mm	46mm	34.2mm	40mm	<b>020-031</b>
<b>CR31</b>	1253-825-2000	31mm	40mm	34.5mm	40mm	<b>020-033</b>
<b>CR31</b>	1253-826-2000	31mm	46mm	32.5mm	38mm	<b>020-034</b>
<b>CR31</b>	1253-829-2000	31mm	55mm	34.5mm	40mm	<b>020-035</b>
<b>CR31</b>	1253-840-2000	31mm	50mm	34.2mm	44mm	<b>020-044</b>
<b>CR31</b>	1253-842-2001	31mm	46mm	34.2mm	42mm	<b>020-046</b>
<b>CR31</b>	N195-10D00	31mm	25mm	31mm	38mm	<b>020-099</b>
<b>CR31</b>	N195-10G00	31mm	28mm	31mm	37mm	<b>020-474</b>
<b>CR33</b>	N195-06B00	33mm	46mm	32.5mm	40mm	<b>020-074</b>
<b>CR33</b>	1253-818-2000	33mm	42mm	34.5mm	40mm	<b>020-026</b>
<b>CR33</b>	1253-836-2000	33mm	29mm	29mm	34mm	<b>020-042</b>
<b>CR33</b>	1253-837-2000	33mm	45mm	34.5mm	44mm	<b>020-043</b>
<b>CR33</b>	1253-841-2001	33mm	46mm	34.2mm	42mm	<b>020-045</b>
<b>CR33</b>	1253-845-2000	33mm	50mm	36.4mm	44mm	<b>020-049</b>
<b>CR33</b>	1253-847-2000	33mm	33mm	36mm	42mm	<b>020-050</b>
<b>CR33</b>	1253-848-2000	33mm	46mm	36mm	42mm	<b>020-051</b>
<b>CR33</b>	1253-849-2000	33mm	40mm	36mm	42mm	<b>020-052</b>
<b>CR33</b>	N195-10C00	33mm	25mm	33mm	38mm	<b>020-098</b>
<b>CR35</b>	1253-820-2000	35mm	42mm	34.5mm	40mm	<b>020-028</b>
<b>CR35</b>	1253-813-2000	35mm	34.5mm	34.5mm	40mm	<b>020-021</b>
<b>CR35</b>	N195-01A00	35mm	46mm	34.2mm	42mm	<b>020-059</b>
<b>CR35</b>	N195-03A00	35mm	50mm	36.4mm	44mm	<b>020-060</b>
<b>CR35</b>	N195-08A00	35mm	46mm	34mm	42mm	<b>020-065</b>
<b>CR35</b>	N195-09A00	35mm	46mm	34.5mm	42mm	<b>020-066</b>
<b>CR35</b>	N195-08B00	35mm	46mm	36mm	42mm	<b>020-076</b>
<b>CR35</b>	N195-02A00	35mm	33mm	38mm	44mm	<b>020-083</b>
<b>CR35</b>	N195-02B00	35mm	31mm	38mm	44mm	<b>020-084</b>
<b>CR35</b>	N195-03E00	35mm	46mm	36.4mm	44mm	<b>020-092</b>
<b>CR35</b>	N195-09C00	35mm	25mm	33mm	38mm	<b>020-097</b>
<b>CR35</b>	N195-03K00	35mm	25mm	36mm	42mm	<b>020-072</b>
<b>CR37</b>	N195-01B00	37mm	46mm	38mm	44mm	<b>020-069</b>
<b>CR37</b>	N195-02C00	37mm	33mm	38mm	44mm	<b>020-081</b>
<b>CR37</b>	N195-03C00	37mm	31mm	35mm	44mm	<b>020-082</b>
<b>CR37</b>	N195-03D00	37mm	41mm	38mm	43mm	<b>020-087</b>
<b>CR37</b>	N195-858-2000	37mm	25mm	33mm	38mm	<b>020-088</b>
<b>CR39</b>	N195-01C00	39mm	46mm	38mm	44mm	<b>020-080</b>
<b>CR39</b>	N195-02E00	39mm	33mm	38mm	44mm	<b>020-091</b>
<b>CR39</b>	N195-02F00	39mm	31mm	38mm	44mm	<b>020-095</b>
<b>CR39</b>	N195-12B00	39mm	31mm	39mm	48mm	<b>020-096</b>
<b>CR39</b>	N195-03J00	39mm	40mm	36.4mm	44mm	<b>020-093</b>